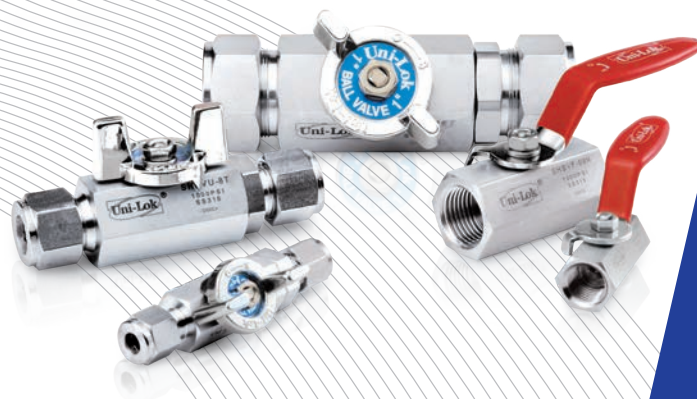




PRECISION & CLEAN
HEX BALL VALVES

VB1 Series

www.korlokusa.com



Features

Pressure rating up to 1000psig (69bar) with PTFE seats and 2000psig(137bar) with TFM only for VB1F series ball valves with lever handle

Easy to operate owing to low torque quarter turn actuation

All valve body's made from 316SS bar stock to secure the high integrity

Compact designed one piece hexagonal body

Micro finished 316SS balls not to occur the leakage

Blow-out proof design with internally loaded stem

Various selection of handles

Wide choice of end connections : Kor-Lok tube fittings, Female NPT or ISO7/1(PT) threads, Weld Systems

Application

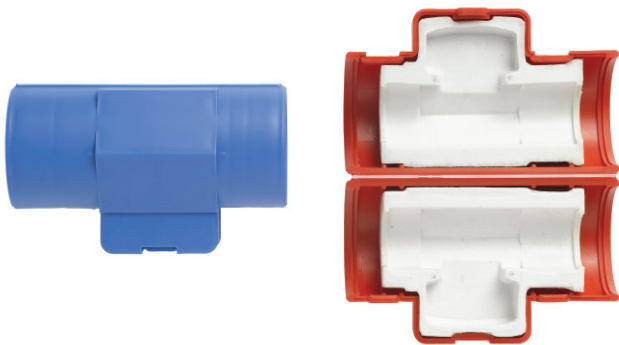
Steam, water, air lines in onshore and offshore application

Utility lines in semiconductor and display panel industries.

Protection Cover

Maintain the temperature of fluids, keep handle position and distinguish in-out lines visually, to keep the temperature of flow and to distinguish the line.

VB1 series ball valve with both 3/4" Kor-Lok end connection and plastic bar handle. 1/2" is available only with the different size of inner cover.



Type of Handle



Lever Handle
(standard)



Butterfly Handle

Bar handles offer visual distinguishment of in-out lines at high purity applications.



Red



Blue



Black
(up to ~1/2")

Testing

Every valve is 100% factory tested with air and nitrogen at 1000psig(69bar) for leakage at the seat and packing. Each test is performed to a maximum allowable leak rate of 0.1scc/min.

Cleaning

Kor-Lok valves are free from machine oils, loose particles and grease throughout the close cleaning process.

The special cleaning for high purity application is available upon request.

Important Notification

Kor-Lok ball valves are designed to be operated in a fully open or fully closed position.

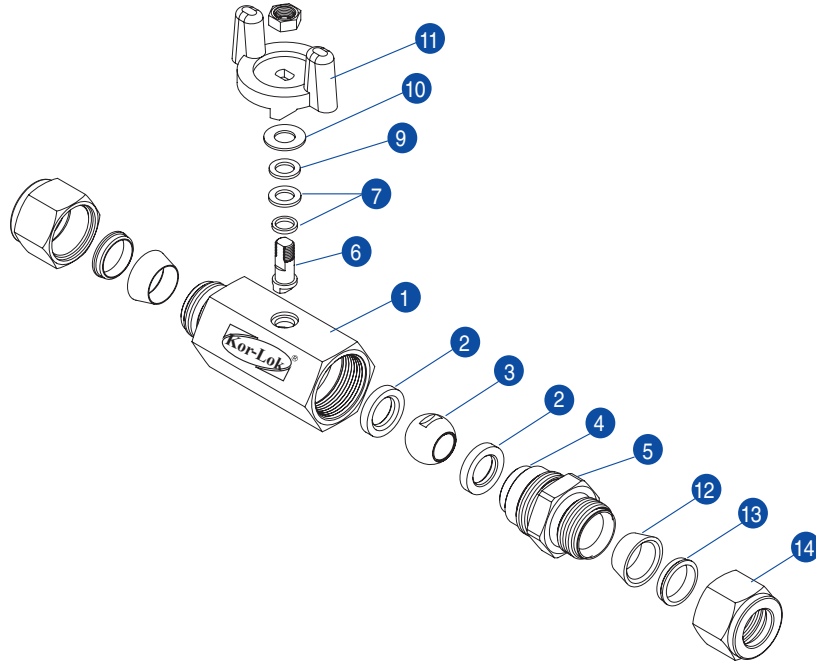
The packing adjustment may be required during the valve's service life.

Proper installation, materials compatibility, operation and maintenance of these valves are the responsibility of the user. The total system design must be taken into consideration to ensure optimal performance and safety.

Materials of Construction

No.	Description	Materials
1	Body	316SS
2	Ball Seat	PTFE(Glass 30%)
3	Ball	316SS
4	O-Ring	Viton
5	Connector	316SS
6	Stem	316SS
7	Inner Packing	PTFE
8	Outer Packing	PTFE
9	Gland	316SS
10	Washer	316SS
11	Handle	Aluminium
12	Front Ferrule	316SS
13	Back Ferrule	316SS
14	Nut	316SS

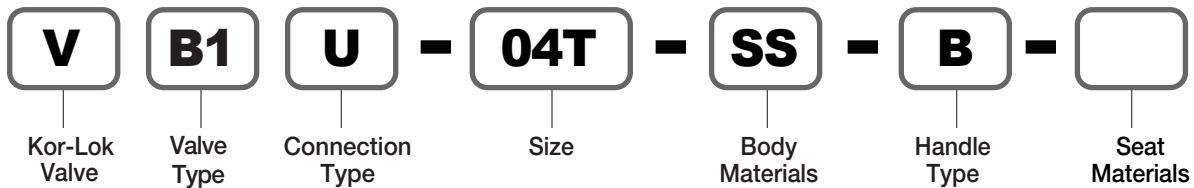
Handle Materials :
 Lever - 304SS+PVC Coat
 Bar - Nylon



How To Order

Kor-Lok VB1 series ball valves are ordered by part number as shown as below.

Example : The following part number, **VB1U-04T-SS-B** is designated for VB1 series ball valve with both 1/4" Un-Lok tube fitting, 316SS, PTFE seat, butterfly handle.



Uni-Lok Designator	
U	Kor-Lok Tube Fitting
F	Female NPT or ISO7/1(PT)
WB-*T	Butt Weld-Tube
WB-*P	Butt Weld-Pipe

Pipe Size O.D. Designation				
Pipe	Normal	15A	20A	25A
O.D.	mm	21.7	27.2	34.0
Designator		15A	20A	25A

Connection Type						
Fractional(Inch) Tube O.D. Designation						
Tube	inch	1/4	3/8	1/2	3/4	1
O.D.	mm	6.35	9.52	12.70	19.05	25.40
Designator		04T	06T	08T	12T	16T

Metric Tube O.D. Designation						
Tube	mm	6	8	10	12	25
O.D.						
Designator		M06T	M08T	M10T	M12T	M25T

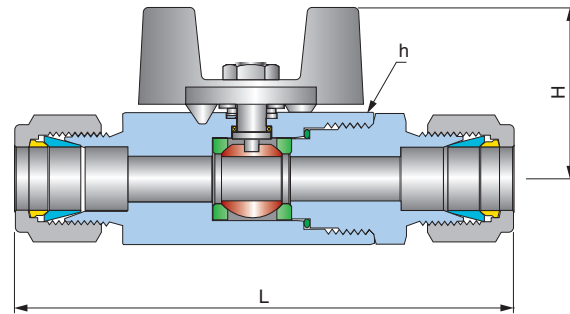
Pipe Size Designation (NPT or ISO7/1-PT)						
Pipe Size	1/8	1/4	3/8	1/2	3/4	1
Designator	02N/R	04N/R	06N/R	08N/R	12N/R	16N/R

Handle Type		
None	Lever Handle	
B	Butterfly Handle	
PR	Nylon	Red
PS	Bar	Blue
PB	Handle	Black

Seat Materials	
None	PTFE
TF	TFM
PK	PEEK

VB1U series (Both Kor-Lok Tube Fittings)

- Max Operating Pressure
 - 1000psig (69bar) at 38°C(100°F) with PTFE seat
 - 1000psig(69bar) at 170°C(338°F) with PEEK seat
- Connection Type
 - Both Kor-Lok tube fittings
- Handle Type
 - Lever, Butterfly and Bar



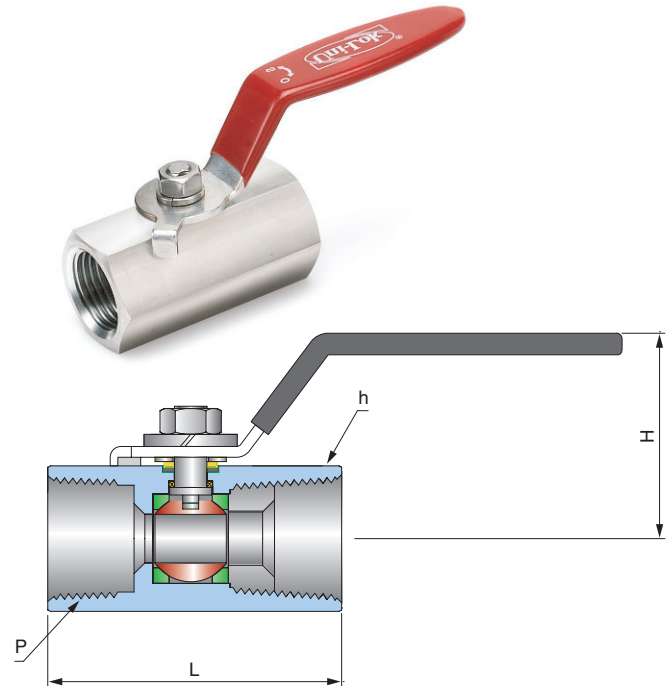
Ordering Information & Dimensions

Part No.	End Connections		Orifice	Dimensions (mm)		
	Inlet	Outlet		h(Hex)	L	H
VB11	U-04T-	1/4" Kor-Lok	5.0	17.46	79.0	26.5
	U-M06T-	6mm Kor-Lok			82.0	
	U-M08T-	8mm Kor-Lok				
VB12	U-06T-	3/8" Kor-Lok	7.5	22.22	89.5	32.5
	U-M10T-	10mm Kor-Lok				
VB13	U-08T-	1/2" Kor-Lok	9.0	26.98	101.6	35.0
	U-M12T-	12mm Kor-Lok				
VB14	U-12T-	3/4" Kor-Lok	12.5	31.75	107.5	37.5
VB15	U-16T-	1" Kor-Lok	16.0	38.10	132.6	44.5
	U-M25T-	25mm Kor-Lok				

Dimensions are for reference only and are subject to change without prior notice.

VB1F series (Both Female Threads)

- Max Operating Pressure
1000psig (69bar) at 38°C(100°F) with PTFE seat
2000psig(69bar) at 38°C(100°F) with TFM seat
- Connection Type
Both NPT or ISO7/1(PT) female threads
- Handle Type
Lever, Butterfly and Bar



Ordering Information & Dimensions

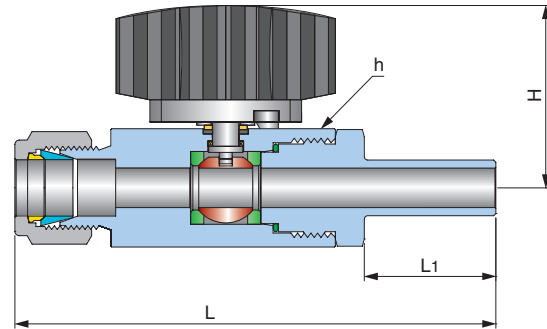
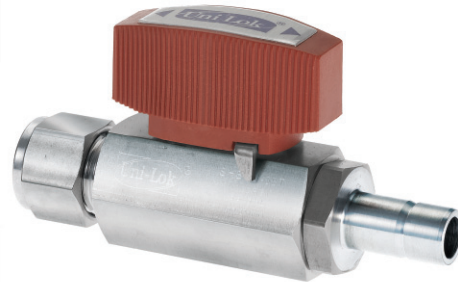
Part No.		End Connections		Orifice	Dimensions (mm)		
		Inlet	Outlet		h(Hex)	L	H
VB11	F-04N-	1/4" Female NPT		5.0	17.46	40.0	29.0
VB12	F-06N-	3/8" Female NPT		7.5	22.22	45.0	35.7
VB13	F-08N-	1/2" Female NPT		9.0	26.98	54.5	38.1
VB14	F-12N-	3/4" Female NPT		12.5	31.75	61.0	44.5
VB15	F-16N-	1" Female NPT		16.0	38.10	75.0	48.0

Female ISO7/1 Tapered Threads (PT) are available for all fractional sizes of VB1F series valves.
Add "R" as a suffix instead of "N".

Dimensions are for reference only and are subject to change without prior notice.

VB1W series (Pipe or Tube Butt Weld and Kor-Lok Tube Fitting)

- Max Operating Pressure
1000psig (69bar) at 38°C(100°F) with PTFE seat
- Connection Type
Pipe Butt or Tube Butt Weld and Uni-Lok Tube Fitting
- Handle Type
Lever, Butterfly and Bar



Ordering Information & Dimensions

Part No.		End Connections		Orifice	Dimensions (mm)			
		Inlet	Outlet		h(Hex)	L	L1	H
VB13	WSU-08T08T	1/2" Tube	1/2" KorLok	9.0	26.98	109.7	30.0	41.6
	WSU-15AP08T	15A Pipe	1/2" Kor-Lok			114.7	35.0	
VB14	WSU-12T12T	3/4" Tube	3/4" Kor-Lok	12.5	31.75	129.2	43.0	44.2
	WSU-20AP12T	20A Pipe	3/4" Kor-Lok			121.2	35.0	
VB15	WSU-16T16T	1" Tube	1" Kor-Lok	16.0	38.10	137.3	31.0	53.8
	WSU-25AP16T	25A Pipe	1" Kor-Lok			146.3	40.0	

Length of L1 can be adjusted upon the customer's request.

Dimensions are for reference only and are subject to change without prior notice.

VB1 Protection Cover

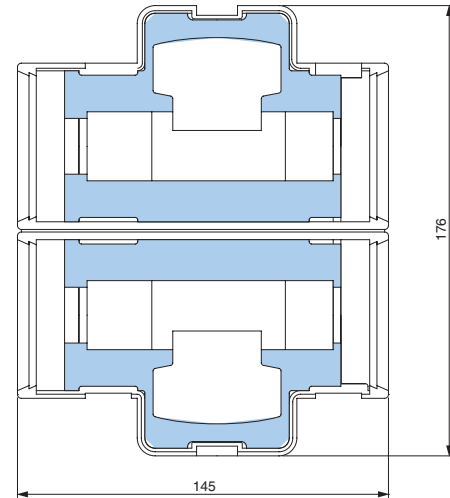
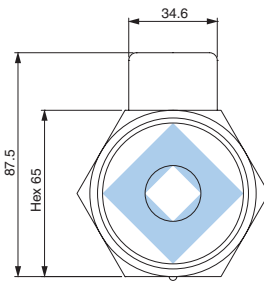
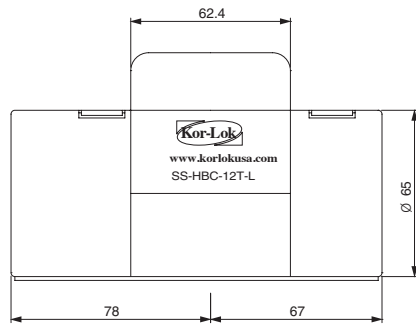
Maintain the temperature of fluids, keep handle position and distinguish in-out visually.

VB1 series ball valve with both 3/4" Kor-Lok end connection and plastic bar handle. 1/2" is available only with the different size of inner cover.

Ordering Number

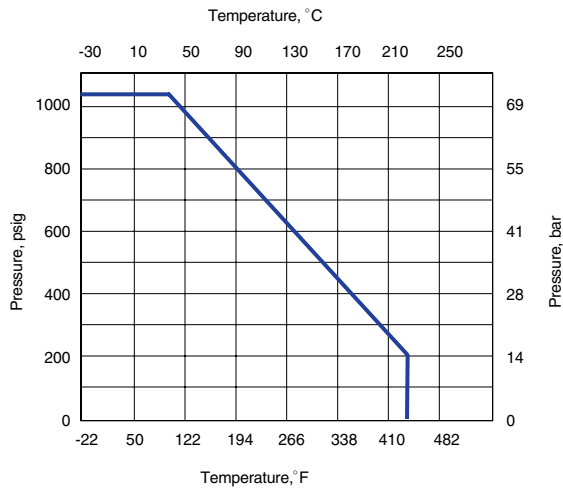
VB1-PC-R : Red

VB1-PC-S : Blue

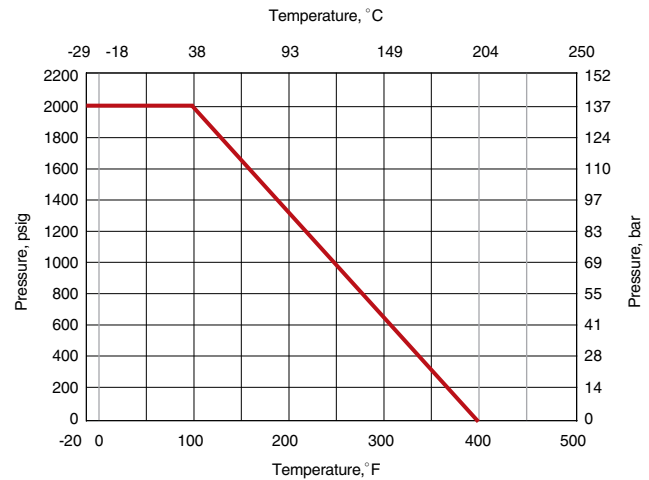


Pressure - Temperature Ratings

PTFE Seat



TFM Seat



Dimensions are for reference only and are subject to change without prior notice.



Kor-Lok® Kor-Lok USA, LLC

15060 West Dr., Suite #100
Houston, Texas 77053
Office Telephone # (281) 437-8400
Fax # (281) 437-8437
Website: www.korlokusa.com